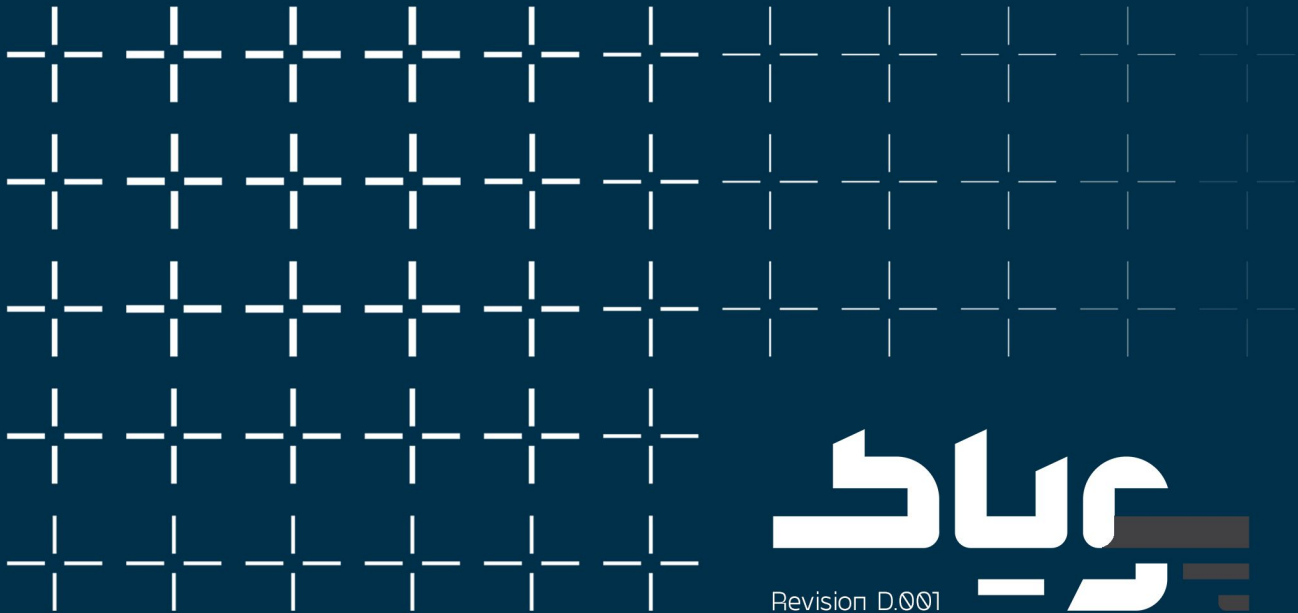


Smart Electromagnetic Flowmeter

POOYAB-SM4



PooYAC
Electromagnetic Smart Flowmeter
Model: PooYab-SM4 (SAP2) (S1)
DN: 150 mm / 6 inch IP65
MFP: 10 mV 6.0PSI
Class: 0.5% 225 VAC, Internal Battery
Accuracy: ±1% Sim: 00050071203
SAP2
150 1.170 000 000
Made in Iran



پویاک

Revision D.001

Introduction


This flowmeter is designed for the management of surface and underground water resources, which, by using an electromagnetic flowmeter and an advanced data logger, has the possibility of accurately measuring and collecting all consumption information and events and sending it to the center.

This meter can intelligently execute consumption management commands to prevent overdraw and tampering by interfacing with the electricity measurement system and the circuit breaker.

Overview

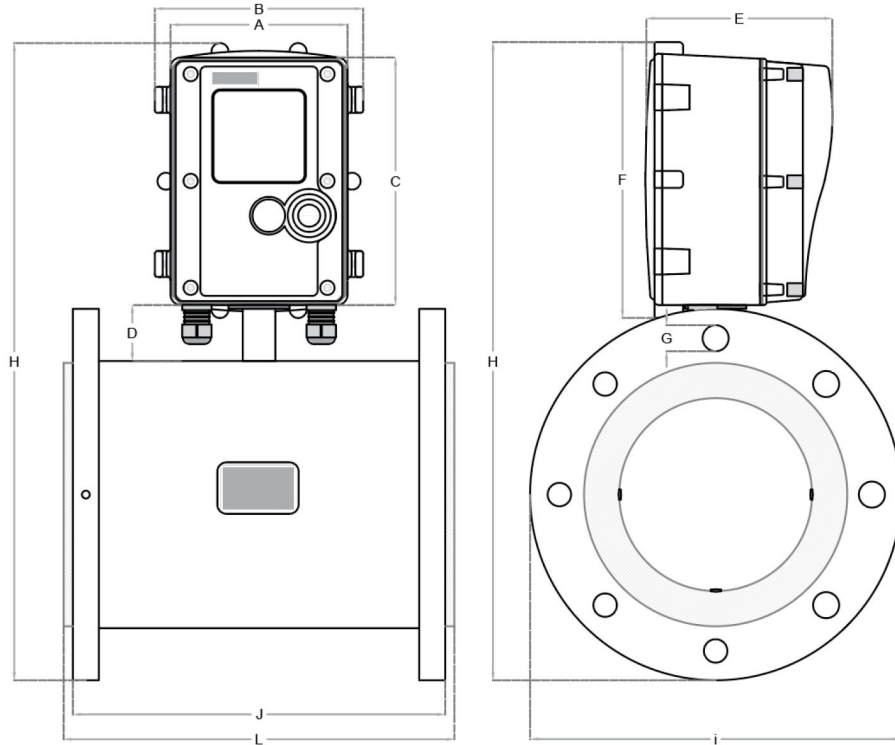
- The accuracy of measurement is 0.5%
- Global positioning system with 32 DBI
- Infrared optical port for adjusting and reading the indicator, in accordance with the IEC62056 standard
- RFID wireless contact card reader In accordance with ISO14443 & ISO7816 standard
- Ability to connect SAM Card to increase the security of the device card reader
- M-bus port to connect to "centralized instant intelligent form system" electricity meter
- RS485 port for connection to external modules such as power relay or pump power measurement
- Internal battery that can be used for up to 3 years (non-rechargeable)
- Clock inside with backup battery allocated in accordance with IEC62054 standard
- Provided a system for detecting magnetic fields from outside for malfunctioning device
- Measure and visual daily, monthly, and annual consumption rate charts
- Measuring water flow in two directions (positive and negative)
- Store all usage information and device events for up to 100 years



Technical		
<ul style="list-style-type: none"> ✓ Water Allocation Management ✓ Based on Modern Knowledge and Technology ✓ High and Stable accuracy Ability to Communicate with Online Monitoring Systems 	Measurement accuracy	0.5%
	range	R=100 & R=200
	Working temperature	-20 ... +55 Celsius Degree
Sizes: 2,3,4,5,6,8,10,12,14,16,20 Inch	output	4-20 mA RS485 (RTU-Modbus) M-Bus
Material		Design Features
Liner material	PTFE-Hard Rubber-PU, Polypropylene-Ceramic, On Order	<ul style="list-style-type: none"> - Sleek, compact and suited design to the specific conditions of the installation location. - The ability to install in all horizontal, inclined and vertical situations - Waterproof with IP68 degree of protection - The ability to rotate 360 degrees for better access for reading - Structure: integrated and separated
Electrode material	SS316L-Hastelloy, Titanium-Tantalli On Order	
Housing Material	Anti-impact and anti-UV polycarbonate	
Standards and Certificates		Applications
<ul style="list-style-type: none"> - ISO 17025, ISO 4064, IMOL Standards - license number 11101/100/98 dated 06/20/98 from the IRI Ministry of Energy Has a confirmation of 0.2% accuracy (Certificate No. 971415 dated 10/08/98 of SAM Laboratory) 		<ul style="list-style-type: none"> - Agriculture - Water and wastewater treatment



Dimensions



Size (inch)	Nominal Size (DN)	A (mm)	B (mm)	C (mm)	D (mm)	E (mm)	F (mm)	G (mm)	H (mm)	I (mm)	J (mm)	L (mm)	Number of Holes
2	50	136	160	190	43	145	211.6	18	390	165	192	200	4
3	80							18	422	200	192	200	8
4	100							18	444	220	240	250	8
5	125							18	472.5	250	230	250	8
6	150							20	505	285	286	300	8
8	200							22	567	340	334	346	8
10	250							22	620.5	407	384	400	12
12	300							25	688.5	457	488	400	12
16	400							29	800.5	580	580	600	16



